



NILES®



# CM730DSFX

## 7" DIRECTED SOUNDFIELD CEILING MOUNT LOUDSPEAKER



### 7" Directed Soundfield Surround Effects Loudspeaker with Pivoting Woofer and Tweeter

- 7" Polypropylene Woofer
- Dual 1" UltraSilk® Soft-Dome Tweeter

SPECIFICATIONS SHEET

## 7 INCH DIRECTED SOUNDFIELD CEILING MOUNT LOUSPEAKER

### 7" Directed Soundfield Surround Effects Loudspeaker with Pivoting Woofer and Tweeter

CM730DSFX

Stock Number  
FG01485



#### Features

- Patented woofer assembly fully pivots up to 20° to focus the bass and midrange tones directly into the listening area
- Twist and Lock™ baffle and frame mechanism facilitates quick installation and trouble-free upgrades
- Integrated woofer/baffle design delivers greater low frequency response by employing a 7" woofer
- Polypropylene cone is light, strong and well damped to provide "Best in Class" bass response
- Butyl rubber surround damps resonance and provides exceptional durability
- Dual 1" pivoting fluid-cooled UltraSilk® dome tweeters offer provide clear and detailed high frequency response
- Bridge-mounted surround effects (FX) tweeter array directs the high frequency sounds at opposing angles to create realistic surround sound effects
- Includes flush-mount MicroPerf™ aluminum grille for a clean and unobtrusive look
- Adjustable Dipole/Bipole and effects level controls allow precise room matching

#### Specifications

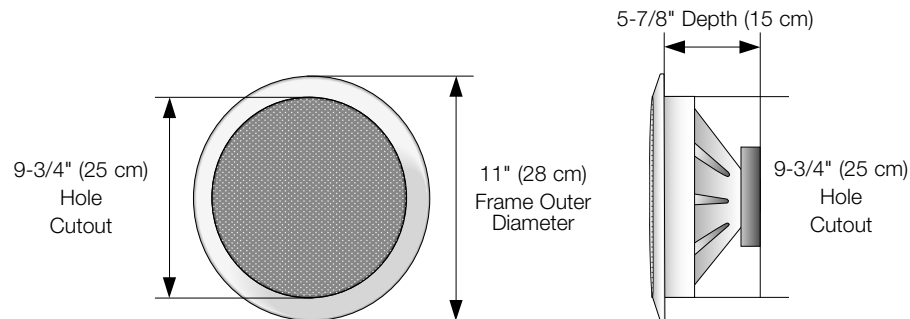
- Frequency response: 52Hz to 21kHz +/-3dB
- Impedance: 8 ohm nominal; 6 ohm minimum
- Recommended amplifier power: 10 to 125 watts
- Frame dimensions: 11" diameter (28 cm)
- Hole cutout dimensions: 9 3/4" diameter (25 cm)
- Depth behind ceiling: 5 7/8" (15 cm)

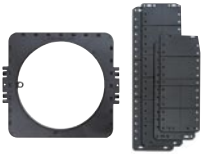



**Warranty: Lifetime Limited**  
**US Patent: 6, 683, 963**



CES Innovations Design & Engineering Award

## PRODUCT CONSTRUCTION AND ACCESSORIES



Loudspeaker Model		Works With			
Model	Stock Number	Previous Bracket	New Bracket	Metal Enclosure	Hole Cover
CM730DSFX	FG01485	 DS8 Series Bracket Kit FG01053	 CM700DS BKT FG01357	 CE DS8 FG01054	 CM700DS Hole Cover FG01318